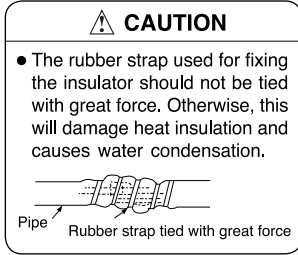
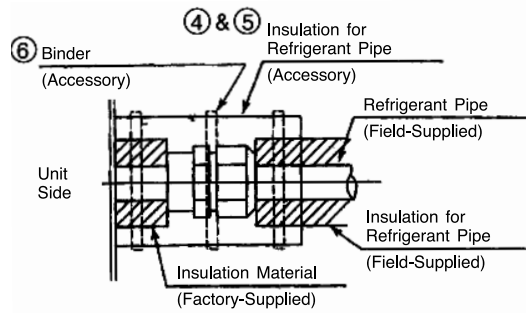


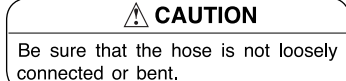
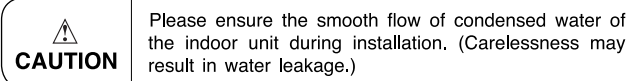
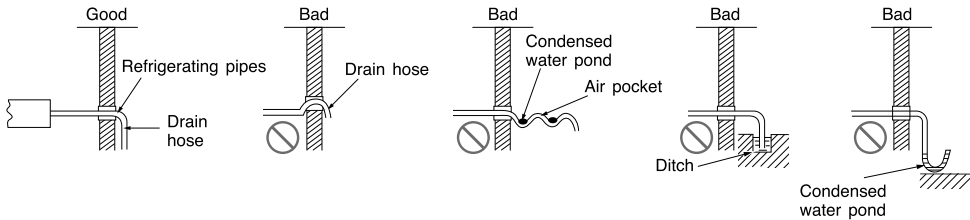
5 Pipe Connection

After connecting the refrigerant piping, seal the refrigerant pipes by using the factory supplied insulation material.



6 Checking of drawing drain hose

- Connect the separate drain hose to the drain hose that is attached to the indoor unit.
- For keeping the smooth flowing of condensed water the drain hose should be inclined as shown in figure below.



7 Checking procedure after installation

- Confirm the smooth water flowing from the drain hose by pouring some water into the evaporator pan.
- Arrange the penetrating part of the wall presentably with the bushing for refrigerating pipes and sealer which is belonging to the pipe set as shown in Fig. 7-1.

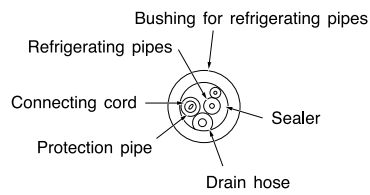


Fig. 7-1

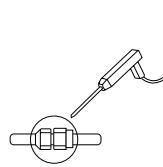


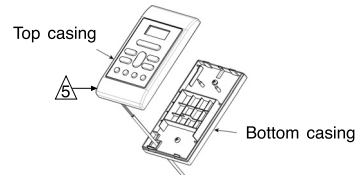
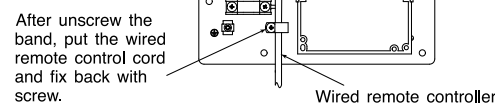
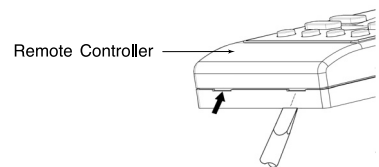
Fig. 7-2

- Wind the inadhensive vinyl tape which is belonged to the pipe set round the refrigerating pipes and the connecting cord.
- Leakage checking of refrigerant at the coupling by gas leak detector or soapsuds, as shown in Fig. 7-2.
- Checking of evaporator coldness (cooling operation).
- Checking of warm wind from condenser (cooling operation).

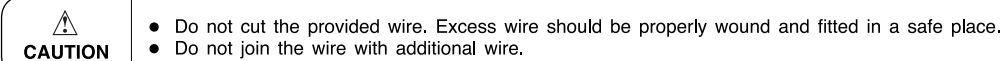
8 Installation of wired remote controller (optional)

- Connection to the electrical box;
 - Remove the cover of electric box
 - Connect the connector of wired remote controller to CN1102
 - Assemble back the cover of electrical box
- Wiring installation for wired remote controller (2 methods);
 - Wired remote controller casing can be opened by pressing the slots with minus screw driver (see below diagram)

REMARK: Diagram shown is for reference only. For SPX-WKT3 please refer specific manual.



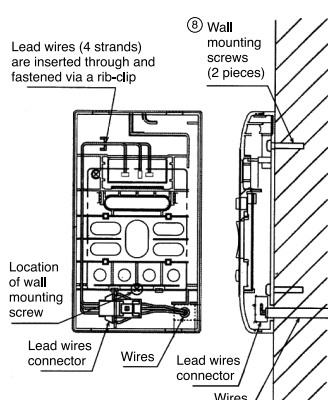
- Decide the fixing location of remote controller so that the length of wire shall be within 5 meters.



Wiring installation illustrations

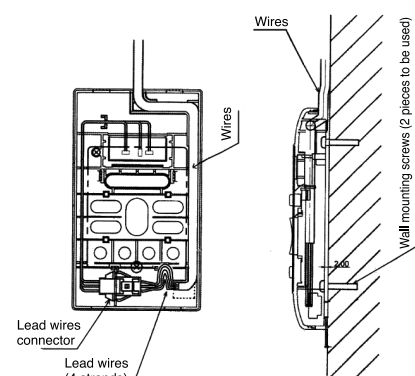
Wall recessed wiring installation (Optional)

- When connecting the wires via the wall's recessed slot;
 - Fix the bottom casing to the wall with the provided screw.
 - Assemble the top casing to the fixed bottom casing. (Refer to the illustration below for a detailed installation)



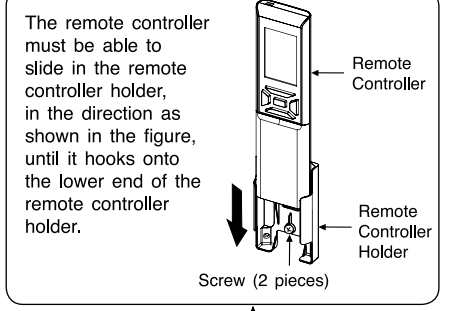
Inside top wiring installation (Alternative)

- When the wires are to be connected from the inside top portion of top casing;
 - Break off a perforated aperture located at the top portion of the bottom casing by nipper. Smoothen the aperture by cutter.
 - Fix the bottom casing to the wall by provided screw.
 - Connect the wires to the lead wires connector.
 - Mount the wires through the provided slot on top casing.
 - Assemble the top casing to the fixed bottom casing (Refer to the illustration below for detail installation)



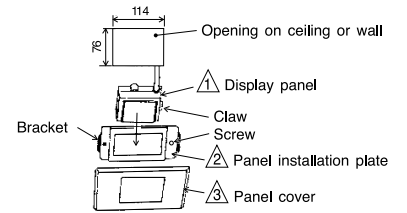
9 Installation of wireless remote controller (optional)

- The remote controller can be placed in its holder which is then fixed on a wall or beam.
- To operate the remote controller at its holder, please ensure that the unit can receive the signal transmitted from the controller at the place where the holder is to be fixed. The unit will beep when a signal is received from the remote controller. The signal transmission is weakened by the fluorescent light. Therefore, during the installation of the remote control holder, please switch on the light, even during day time, to determine the mounting location of the holder.

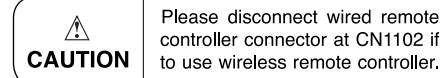
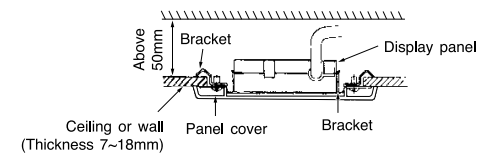


Installation of display panel (Optional)

- Select an installation position on ceiling or wall where there is no obstacle to interrupt signal reception.
- Loosen screws of panel installation plate so that bracket can be slightly moved.
- Match the display panel to panel installation plate so the fixing claws on the panel are securely hooked.
- Match brackets to the opening on ceiling or wall and tighten screws until bracket is firmly secured to ceiling material.
- Install the panel cover so inside claws are securely hooked to the panel installation plate.
- Conduct the indoor unit side housing of display panel cord to the electric box of the indoor unit and connect it with the housing at the side of the unit.

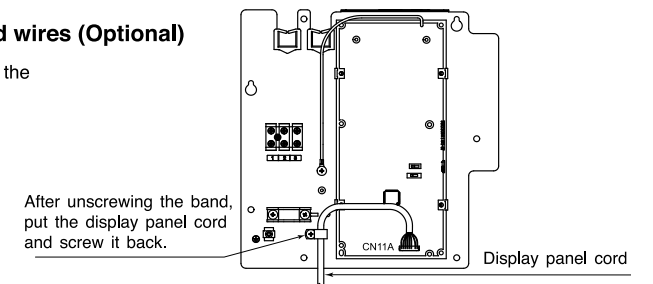


CROSS SECTION



Connection of display panel lead wires (Optional)

- Attach the connector of this panel to the connector CN11A on the control PWB.

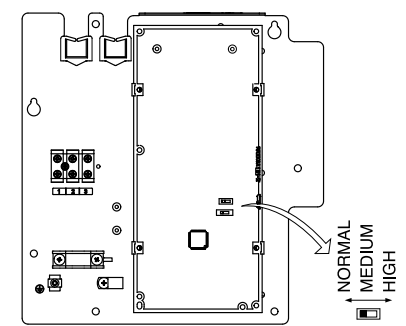


10 Setting of external static-pressure switch

- Setting of External Pressure Remove lid of electric box and set the "STATIC PRESSURE" switch.

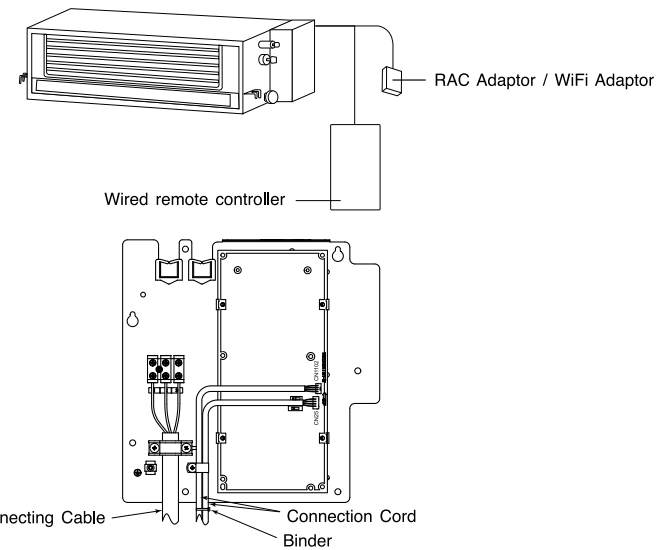
HIGH : 150pa
MEDIUM : 100pa
NORMAL : 50pa

- If not set to HIGH STATIC-PRESSURE, there will be reduction of cooling and heating capacities. (At the time of delivery, the switch is set as "NORMAL".)



11 How To Connect The Optional Parts

(RAC / WiFi Adaptor, Wired Remote Control, ON/OFF Status or Alarm Signal, Motion Sensor)



EXTERNAL COMMUNICATION

[For all optional parts, please refer to the catalog for part numbers]

When connecting the Dry contact / External Communication / WiFi / ON/OFF Status or Alarm Signal / Motion Sensor (Optional)

- To connect to Dry Contact, a separate purchase HA adaptor and Dry Contact Connecting Cord is required.
- To connect to External Communication, a separate purchase RAC adaptor is required.
- To connect to WiFi, a separate purchase WiFi adaptor is required.
- To install the wiring, the electrical box cover must be opened, (As for Dry Contact, connect to CN9 whereas for the WiFi Adaptor or RAC Adaptor, connect to CN101. As for ON/OFF Status or Alarm Signal, connect to CN25 whereas for Motion Sensor, connect to CN10)
- The connection cord and power cables are to be arranged and tied up as the diagram shown below.
- Please refer to the respective user manuals of the WiFi adaptor and RAC adaptor for further details.
- Please refer to the user manual for instruction on the removal and installation of the electrical box.
- For ordering all optional parts, please refer to the catalogue for part number.
- For Multi Air Conditioner, please refer to Outdoor Service Manual.

WIRED REMOTE CONTROLLER

[For all optional part, please refer catalog for part number]

To connect to the electrical box:

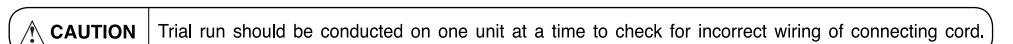
- Remove the cover of electrical box.
- Connect the connector of wired remote controller to CN1102.
- Assemble back the cover of electrical box.
- Please refer to the respective user manual of wired remote controller for further details.
- Please be careful not to damage lead wires by edge of plate when connecting the optional parts.

12 Protection of lead wire

Wrap aluminum tape around PVC tube between electric box and indoor unit (cord band).

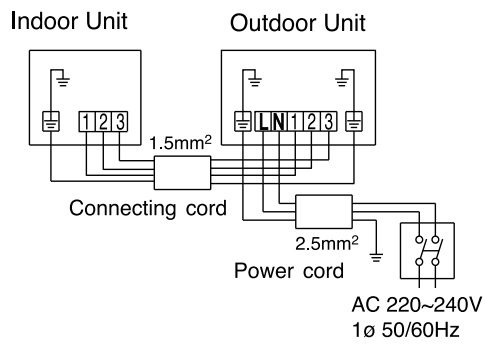
13 Operation test

- Please ensure that the air conditioner is in normal operating condition during the operation test.
- Explain to your customer the proper operation procedures as described in the user's manual.
- If the indoor unit does not operate, check to see that the connections are correct.



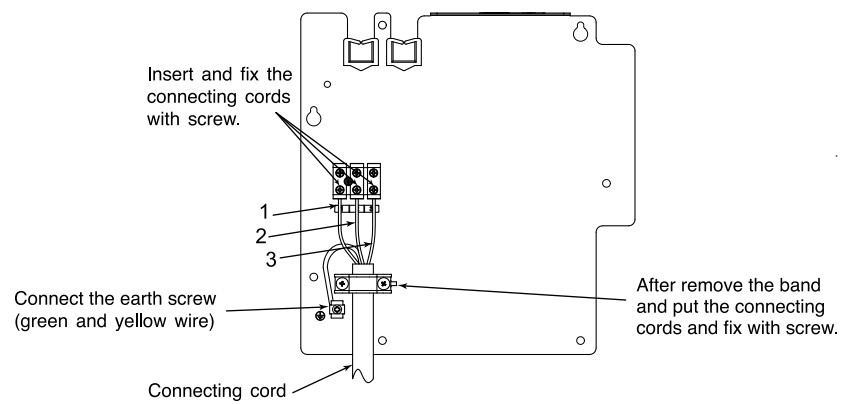
WARNING • THIS APPLIANCE MUST BE EARTHED.

Procedures of Wiring

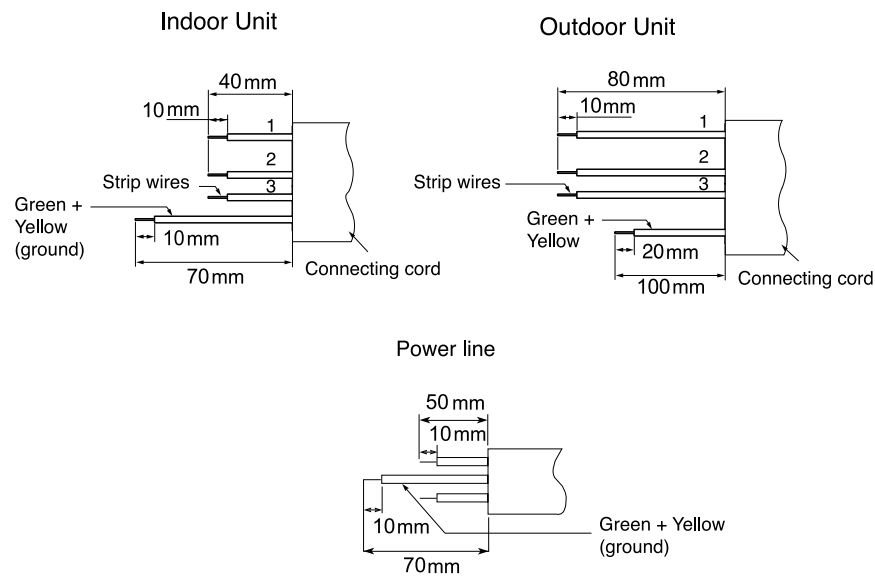


Wiring Of The Indoor Unit

For wire connection of the Indoor unit, you need to remove electrical cover.



Detail of Cutting the Connecting Cord



WARNING

- The naked part of the wire core should be 10 mm and fix it to the terminal tightly. Then try to pull the individual wire to check if the contact is tight. Improper insertion may burn the terminal.
- Be sure to use only power cables approved from the authorities in your country.
- Please refer to the installation manual for wire connection to the terminals of the units. The cabling must meet the standards of electrical installation.
- There is an AC voltage of 220-240V between the L and N terminals. Therefore, before servicing, be sure to remove the plug from the AC outlet or switch off the main switch.
- Do not make any connection in the middle of the connecting cable. It may cause the wire to over heat, and emit smoke and fire.

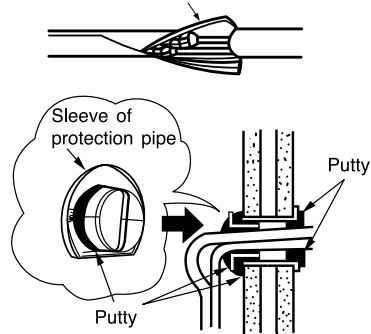
CONNECTION OF CONNECTING CORD

FINAL STAGE OF INSTALLATION

1 Insulation And Maintenance Of Pipe Connection

- The connected terminals should be completely sealed with a heat insulator and then tied up with a rubber strap.
- Please tie the pipe and power line together with vinyl tape as shown in the figure showing the installation of the Indoor and Outdoor units. Then fix their position with holders.
- To enhance the heat insulation and to prevent water condensation, please cover the outdoor part of the drain hose and pipe with insulation pipe.
- Completely seal any gap with putty.

Insulation material for pipe connection



2 Power Source And Operation

Power Source

CAUTION

- Please use a new socket. An accident may occur while using an old socket because of the poor contact.
- Please plug in and then remove the plug for 2 – 3 times. This is to ensure that the plug is completely plugged into the socket.
- Keep additional length for the power cord and do not render the plug under external force as this may cause poor contact.
- Do not fix the power cord with U-shape nail.

WARNING

- Do not use means to accelerate the defrosting process or to clean, other than those recommended by the manufacturer. Any unfit method or using incompatible material may cause product damage, burst and serious injury.
- The appliance/pipe-work shall be stored in a well ventilated room with indoor floor area larger than A_{min} [refer to Table 1] and without any continuously operating ignition source. Keep away from open flames, any operating gas appliances or any operating electric heater. Else, it may explode and cause injury or death.
- The appliance/pipe-work shall be installed, and/or operated in a room with floor area larger than A_{min} [refer to Table 1] and keep away from ignition sources, such as heat/spark/open flame or hazardous areas such as gas appliances, gas cooking, reticulated gas supply systems or electric cooking appliances, etc.
- Do not pierce or burn as the appliance/pipe-work is pressurized. Do not expose the appliance/pipe-work to heat, flame, sparks, or other sources of ignition. Else, it may explode and cause injury or death.